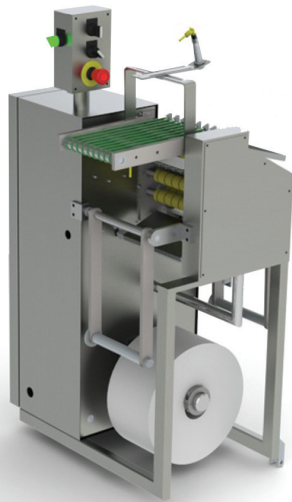


SMALL FORM FACTOR INTERLEAVING MODULES

For The Baking Industry



PPI-200-SS-EV6



PPI-200-SS-EV9

PPI-200-SS

EV SERIES

Only adds 12" to line length

- Available in 6", 9" and 13" widths
- Fast payback through reduced materials and labor cost
- Minimal training required
- Interfaces to any of our stacker modules
- Cuts paper, film, foil, and multi layer or laminated sheets
- Easily adjustable cut lengths

Packaging Progressions, Inc. announces a true evolution in interleaving and underleaving. The PPI-200-SS EV SERIES Interleaving Module only adds 12" to your overall line length. With the ability to place paper, film, foil, or other media under your products, the EV SERIES of interleavers will allow you to add an interleaved or underleaved offering to your product line without a large investment in production space.

pacproinc
Packaging Progressions, Inc.

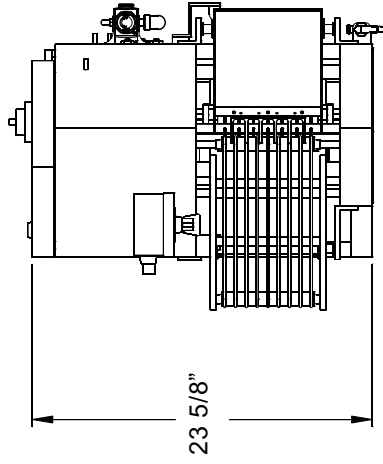
The right technology
for the right solution.

610-489-8601
sales@pacproinc.com

www.pacproinc.com

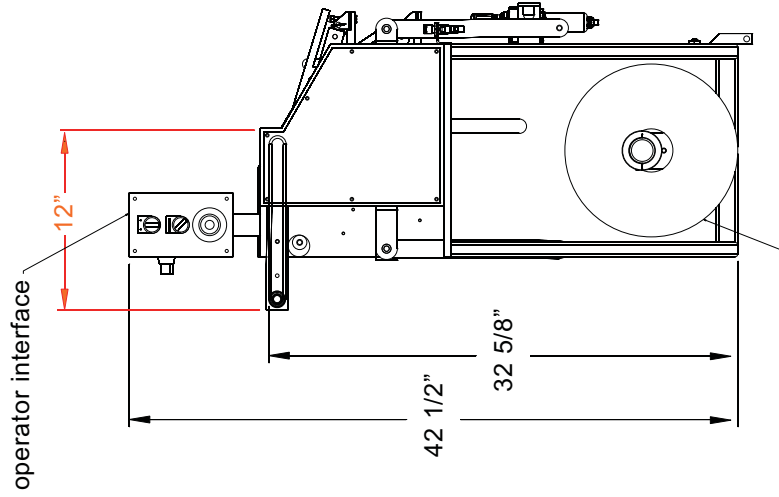


DRIVE SIDE



OPERATOR / AISLE SIDE

product flow



paper/film roll - 13" max width x 12" dia max

Interleaver Specifications

DIMENSIONS

21.3" L (overall) 12" L (line impact)
x model dependent W x 42.25" H

OPERATING WIDTH.....6", 9", 13"

CUT LENGTH.....3.5" minimum / 15" maximum

PRODUCT RATES

Up to 300 portions per minute (product dependent)

LANES.....Model dependent

ELECTRICAL.....220 VAC single phase 10 amp

INTERLEAVING MATERIAL

Rollstock.....3-13" width, 12" max diameter, 3" core

Paper.....Wet or dry waxed, 1 or 2 ply

.....silicone, parchment

Film.....High or low density poly

Metalized.....Foil or susceptor

Food Safe.....Reduced microbial paper

Iron Bridge Corporate Center
102 G.P. Clement Drive
Collegeville, PA 19426-0244

pacproinc
Packaging Progressions, Inc.

610-489-8601
fax 610-8691
sales@pacproinc.com
www.pacproinc.com